

## CFD Series

### ActOn Centrifugal Drier

The Centrifugal Drier is best suited for drying large volumes of small components where the agro media cannot be used due to the risk of lodgement.

#### How it works?

The centrifugal drier machine works with the circulation of open loop hot air. The processed parts are placed in a bowl which is rotated with an electrical motor and a belt. While the stainless steel bowl is turning the humidity and liquids are discharged from the bowl centrifugally.

The heater assembled to the top of the cover is used to heat the air inside. The generated heated air dries the parts in a circular movement. Stopping the motion when the parts are completely dried is carried out through a brake pedal. The finished parts are stain free and protected against corrosion.

#### Key Features and Benefits

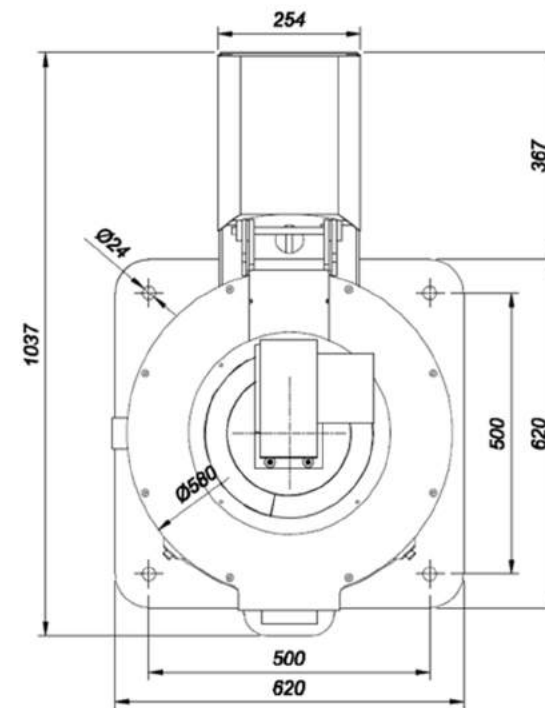
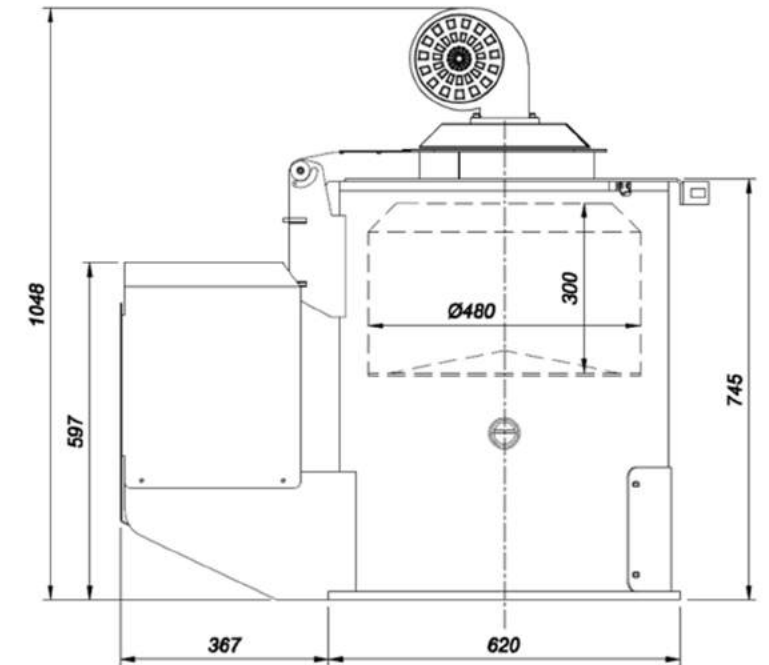
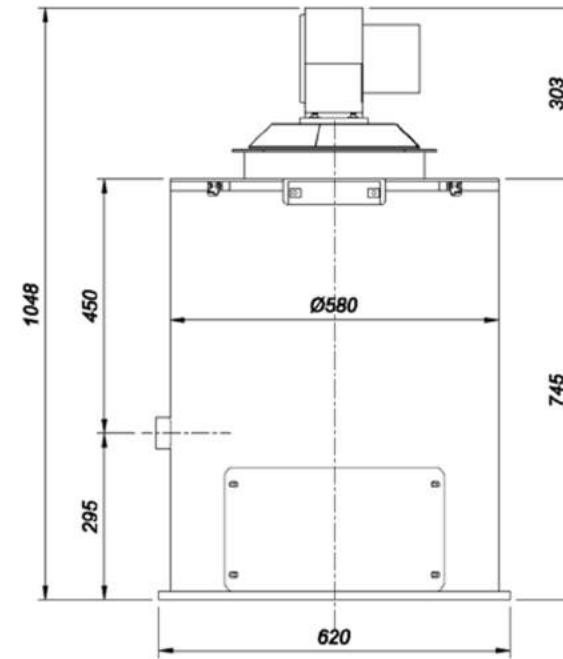
- ✓ Basket hole diameter: 1.5mm
- ✓ Optional heater fan can be included
- ✓ A lifting device can be included for the drier basket
- ✓ Can be customised to include the options of washing, removal of oil or for coating
- ✓ Process results in dry and clean parts without any media lodgement
- ✓ British built, high-quality product
- ✓ Efficient in operation
- ✓ Quiet in operation due to lid
- ✓ Operator friendly controls
- ✓ Low maintenance



# ACTON<sup>®</sup>

FINISHING

## Technical Information



| Model                           | CFD50 |
|---------------------------------|-------|
| Max Motor Power (kW)            | 1.5   |
| Motor Brake Power (Nm)          | 25    |
| Heater Power (W)                | 3000  |
| Basket Gross Volume (Cu. Ft./L) | 48    |
| Effective Volume (Cu. Ft./L)    | 25    |
| Max. Batch Load (kg)            | 50    |

Sizes indicated above are standard. Custom sizes can be manufactured to suit specific applications. Dimensions are subject to change due to design improvements.

**MADE IN BRITAIN**

ActOn Finishing Ltd  
213 Torrington Avenue,  
Coventry, CV4 9HN, U.K.  
Tel: +44 (0) 24 7646 6914  
www.acton-finishing.co.uk